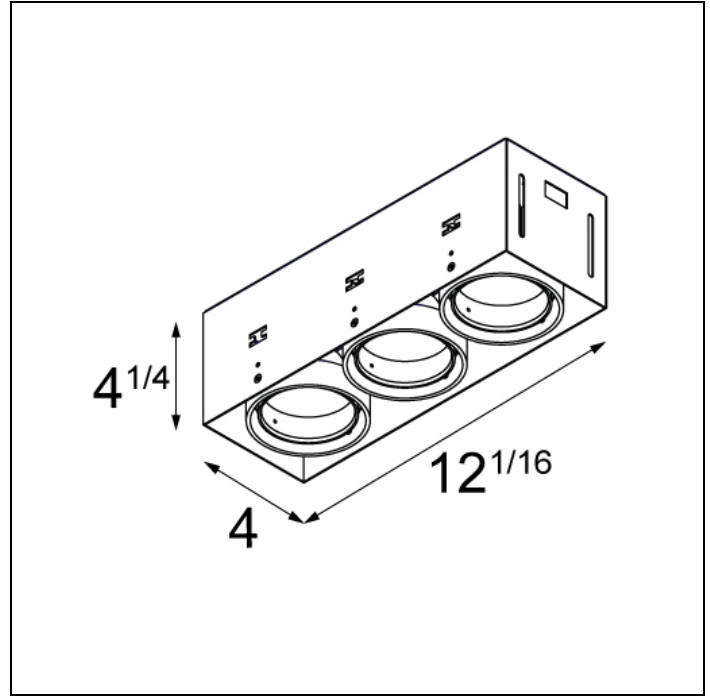


# MINI RITM TRIMLESS FOR SMART RINGS



## MINI RITM TRIMLESS FOR SMART RINGS 3X LED DE

After twenty years still one of the architect's favorites. Mini ritm trimless, with its minimalistic features becomes part of the interior. Its dark or white casing vanishes when switching on the light. The versatile Mini ritm leaves nothing to the imagination with the technology on full display, allowing this luminaire to fit well into both a minimalist and an industrial-chic environment. The gimballed system allows you to direct the light source at any angle of your choice. Connect Mini ritm trimless with Smart by adding the Smart frontrings to your recessed spot.

Art. Nr. US\_12532209

### SPECIFICATIONS

|                        |                                                                                                                                                                                                                                                                                                                                         |                               |
|------------------------|-----------------------------------------------------------------------------------------------------------------------------------------------------------------------------------------------------------------------------------------------------------------------------------------------------------------------------------------|-------------------------------|
| Lamp                   | 3x LED Array                                                                                                                                                                                                                                                                                                                            |                               |
| Driver                 | driver excluded - requires housing                                                                                                                                                                                                                                                                                                      |                               |
| Cut-out size           | l 12"1/4 w 4"11/64                                                                                                                                                                                                                                                                                                                      |                               |
| Weight                 | 3.6kg                                                                                                                                                                                                                                                                                                                                   |                               |
| Min. distance          | 4 in.                                                                                                                                                                                                                                                                                                                                   |                               |
| Location rating        | suitable for damp locations                                                                                                                                                                                                                                                                                                             |                               |
| Glow wire test         | 960°                                                                                                                                                                                                                                                                                                                                    |                               |
| webterm_lifetime       | L80 B20 @ 50.000 hrs                                                                                                                                                                                                                                                                                                                    |                               |
| CRI                    | 92                                                                                                                                                                                                                                                                                                                                      |                               |
| Power supply           | 350mA<br>17.8Vf                                                                                                                                                                                                                                                                                                                         | <b>500mA</b><br><b>18.4Vf</b> |
| webterm_connected_load | 6.2W                                                                                                                                                                                                                                                                                                                                    | <b>9.2W</b>                   |
| webterm_lumen          | 547lm                                                                                                                                                                                                                                                                                                                                   | <b>735lm</b>                  |
| Efficacy               | 88lm/W                                                                                                                                                                                                                                                                                                                                  | <b>80lm/W</b>                 |
| UGR                    | 14                                                                                                                                                                                                                                                                                                                                      | <b>15</b>                     |
| Adjustability          | v -35°/+35°                                                                                                                                                                                                                                                                                                                             |                               |
| Remark                 | ! has to be combined with Smart frontrings<br>! suitable for damp locations<br>! has to be used with appropriate housing (LED gear incl.)<br>! combine with drywall plaster flange for ceiling thickness > 0 25/32" (20mm) and ≤ 1 31/32" (50mm)<br>! CCEA Chicago Plenum rated & Airtight per ASTM-E283-04 (when used with IC-UAT box) |                               |

|             | WARM WHITE<br>2700K / CRI 92+ | WARM WHITE<br>3000K / CRI 92+ | WARM WHITE<br>3500K / CRI 92+ |
|-------------|-------------------------------|-------------------------------|-------------------------------|
| black       | US_12532002                   | US_12532202                   | US_12532302                   |
| white struc | US_12532009                   | <b>US_12532209</b>            | US_12532309                   |

